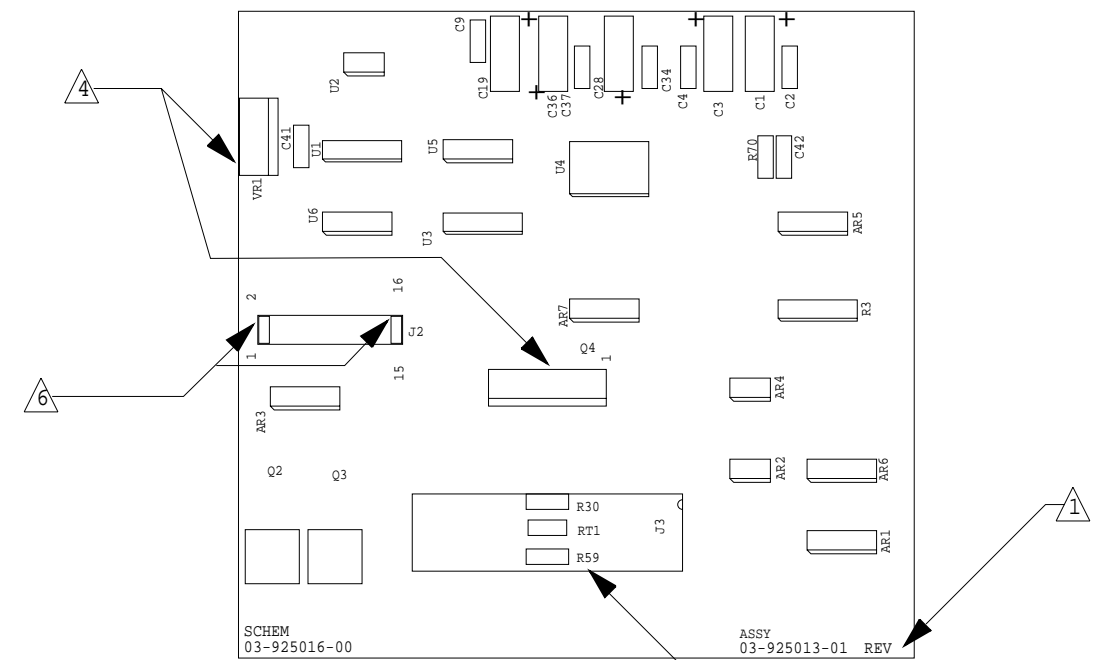


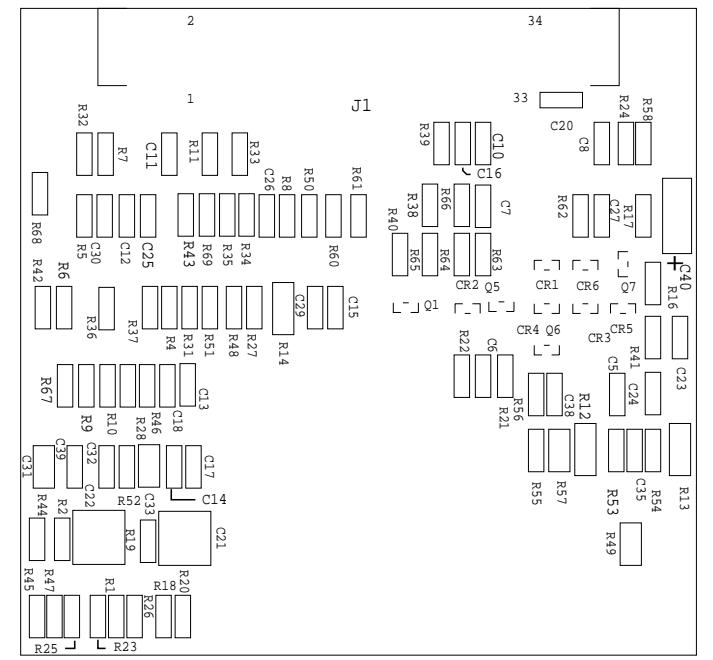
TYPE OR MODEL	NEXT ASSEMBLY
3800	03-925110-00

QTY	PART NUMBER	DESCRIPTION OR MATERIAL	ITEM
-----	-------------	-------------------------	------



SCHEM
03-925016-00
ASSY
03-925013-01 REV

COMPONENT SIDE



SOLDER SIDE

7. THIS ASSEMBLY IS SENSITIVE TO ELECTRICALLY CONDUCTIVE SURFACE CONTAMINANTS LEFT OVER AFTER THE USE OF WATER SOLUBLE FLUXED SOLDER.

TWO PROCESSES HAVE BEEN APPROVED FOR THE SOLDERING OF THIS ASSEMBLY.

Process 1. (strongly advised)
Use only a no-clean solder cream such as "CLEANLINE LR725" which has a surface leakage resistance spec of $> 1 * 10^9$ ohms.
Do-not do a post solder wash.
Process 2. (Only if process 1 is not available.)
Use the normal water soluble soldering operation.
The post solder wash must be done using a TRIPLE STAGE washing machine ONLY.
Use only CLEAN DE-IONIZED water at a temperature of 150 F.
Both sides of the board must be washed twice. Total = 4 times.
Use of used semi-clean water or water at the wrong temperature is UN-ACCEPTABLE.

SHT 1 OF 3
SHT 2 THRU 3 ARE A SIZE

- 6 INSTALL SHORTING PLUG ITEM 50 ON J2 BETWEEN PIN 15 - 16 AND PIN 1 - 2.
- 5 INSTALL R30, R59, AND RT1 BEFORE INSTALLING J3.
- 4 DO NOT INSTALL VR1 AND Q4 AT THIS LEVEL.
- 3. FOR SCHEMATIC SEE 03-925016-00.
- 2. FOR A/W SEE 03-925015-00.
- 1 MARK CURRENT REV LEVEL IN AREA PROVIDED WITH A PERMANENT TYPE NON-CONDUCTIVE BLACK INK.

NOTES: (UNLESS OTHERWISE SPECIFIED.)

X3-925013-01	REFURBISHED			
03-925013-01	NEW			
03-925013-00	DRAWING ONLY			
PART NUMBER	DESCRIPTION			
DRAWN SAL TEDESCO	DATE 2-1-95	APPROVED H. FENNEL	DATE 10-27-95	CODE ---
CHECKED ST	DATE 10-27-95	APPROVED H. FENNEL	DATE 10-27-95	CLASS ---

DO NOT SCALE DRAWING

DESCRIPTION OF CHANGE	C RELEASE	ITEM 16 AND 46, Q4 & VR1 SHOULD NOT BE SHOWN ON SHT 2 OF 2	R38 WAS ADDED ON SILKSCREEN OF SOLDER SIDE.	NUMEROUS CHANGES SEE ECO	B RELEASE	ADDED C41, C42 AND R70	MINOR CHANGES SEE ECO	MINOR CHANGES SEE ECO
APVD	ECO	NFC	NFC	MERC-4	M32	19714	19985	20060
DPT	SAL	SAL	SAL	SAL	SAM	SAL	SAL	SAL
CHK	ST	ST	ST	ST	ST	ST	ST	ST
DATE	3-6-95	3-6-95	4-5-95	6-5-95	10-17-95	5-9-96	12-3-96	2-3-97
REV	C1	C1	C1	C2	1	2	3	4

ASSEMBLY, PWA, ELECTRONIC INJECTOR CONTROLLER					
NOT OTHERWISE SPEC: ANG ±					
varian					
FIN. ✓	DEC .X ±	.XX ±	.XXX ±		
2:1	38	1 OF 2	D	03-925013-00	4
SCALE	DIV	SHEET	SIZE	DRAWING NO	REV

PWA: EIC

ASSEMBLY: 03-925013-00

DATE: JAN. 31 1997

REV: 4

Sheet: 2 of 3

<u>Item</u>	<u>Ref Designator</u>	<u>Qty</u>	<u>Part Number</u>	<u>Part Description</u>
1		1	03-925014-01	FAB,PWA,EIC
2	AR1, AR3	2	62-602939-00	IC,LMC660CM,OPAMP,QUAD,SMT
3	AR2, AR4	2	62-602938-00	IC,AD620AR,INST.AMP,SMT
4	AR5, AR7	2	62-602940-00	IC,LM324AM,OP-AMP,QUAD,SMT
5	AR6	1	62-602942-00	IC,LMC6064ACM,OPAMP,QUAD,SMT
6	C1, C3, C19, C28, C36, C40	6	41-304301-01	CAP,10MF,35V,TA,20%,SMT
7	C2, C4-18, C20, C23-27, C29-30, C32, C34-35, C37-39, C41-42	32	41-802301-00	CAP,0.1MF,50V,10%,CER,SMT
8	C21-22	2	41-715112-00	CAP,1.0UF,50V,10%,X7R,SMT
9	C31, C33	2	41-715129-00	CAP,0.01UF,100V,5%,NPO,SMT
10	CR1-6	6	66-999972-00	DIODE,MMBD914LT1,100V,100MA,SMT
11	J1	1	51-210200-00	CONN,34-PIN,HEADER,RIBBON,SMT
12	J2	1	51-409913-00	CONN,16PIN,HEADER,SMT
13	J3	1	54-910485-00	CONN,28PIN_SOCKET,SMT
14	Q1, Q5-7	4	62-990710-00	XSTR,NPN,MMST3904,40V,SMT
15	Q2-3	2	62-798166-00	XSTR,MOSFET,NCHAN,MTD3055V,60V,12A
16				
17	R1	1	31-403455-00	RES,MF,332K,1/8W,1%,100PPM,SMT
18	R2, R5, R10, R23, R25-26, R47	7	31-409168-00	RES,MF,10.0M,1/8W,5%,300PPM,SMT
19	R3	1	35-790000-00	RES,NET,DIP,10.0KX8,0.1%,SMT
20	R4, R16-17, R39, R44- 45, R52, R54, R56, R66	10	31-403309-00	RES,MF,10.0K,1/8W,1%,100PPM,SMT
21	R6, R21, R28, R31-34, R36, R41-42, R51	11	31-403501-00	RES,MF,1.00M,1/8W,1%,100PPM,SMT
22	R7	1	31-403409-00	RES,MF,110K,1/8W,1%,100PPM,SMT
23	R8	1	31-403329-00	RES,MF,16.2K,1/8W,1%,100PPM,SMT
24	R9, R11	2	31-403503-00	RES,MF,5.11M,1/8W,1%,100PPM,SMT

PWA: EIC

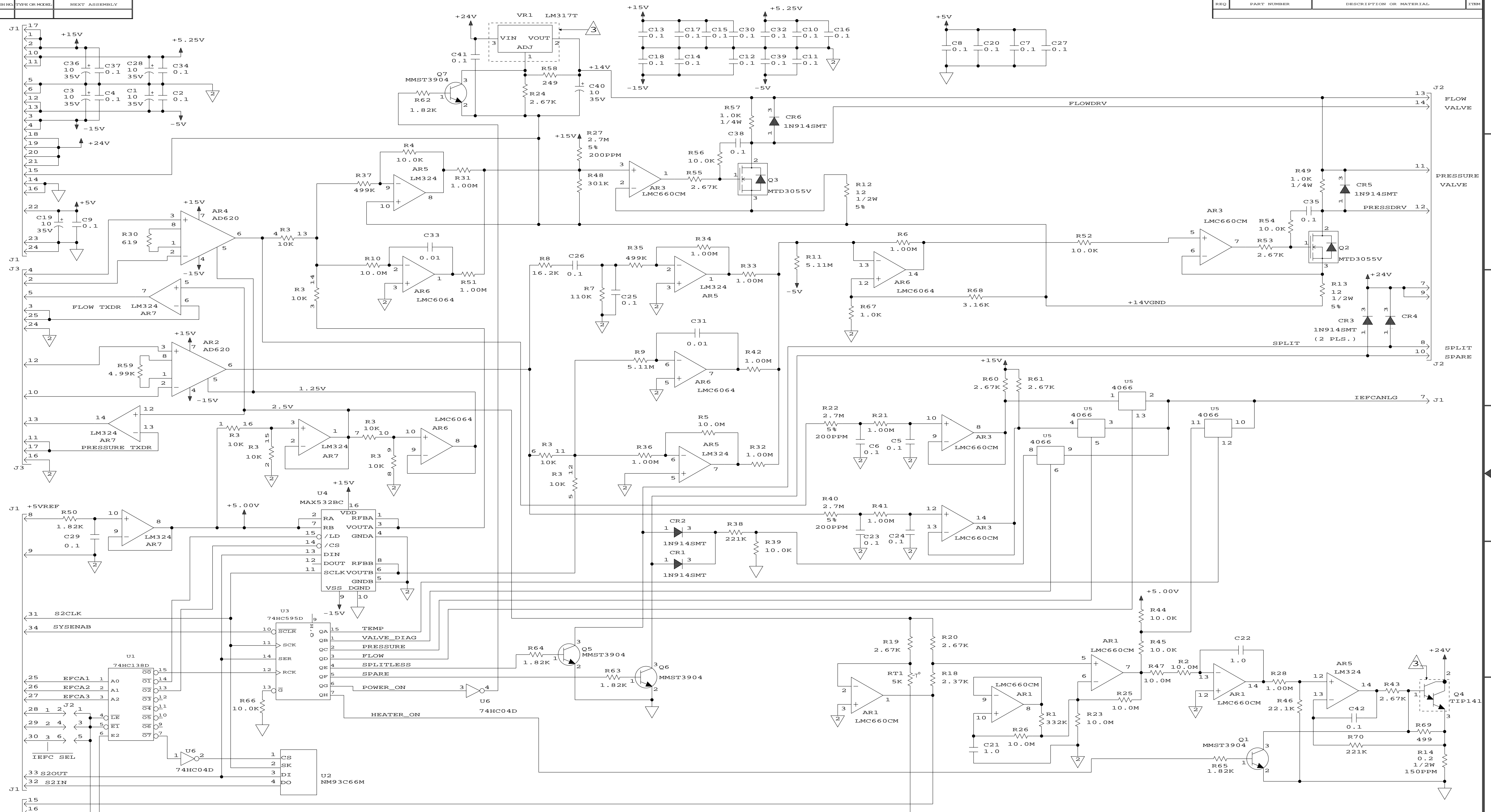
ASSEMBLY: 03-925013-00

DATE: JAN. 31 1997

REV: 4

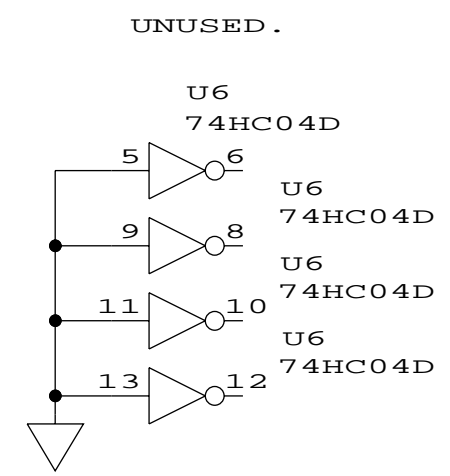
Sheet: 3 of 3

<u>Item</u>	<u>Ref Designator</u>	<u>Qty</u>	<u>Part Number</u>	<u>Part Description</u>
25	R12-13	2	31-411026-00	RES,MF,12,1/2W,5%,300PPM,SMT
26	R14	1	31-405100-00	RES,MF,0.2,1/2W,1%,150PPM,SMT
27	R18	1	31-403249-00	RES,MF,2.37K,1/8W,1%,100PPM,SMT
28	R19-20, R24, R43, R53, R55, R60-61	8	31-403254-00	RES,MF,2.67K,1/8W,1%,100PPM,SMT
29	R22, R27, R40	3	31-403502-00	RES,MF,2.7M,1/8W,5%,200PPM,SMT
30	R30	1	31-403193-00	RES,MF,619,1/8W,1%,100PPM,SMT
31	R35, R37	2	31-403472-00	RES,MF,499K,1/8W,1%,100PPM,SMT
32	R38, R70	2	31-403438-00	RES,MF,221K,1/8W,1%,100PPM,SMT
33	R46	1	31-403342-00	RES,MF,22.1K,1/8W,1%,100PPM,SMT
34	R48	1	31-403451-00	RES,MF,301K,1/8W,1%,100PPM,SMT
35	R49, R57	2	31-404213-00	RES,MF,1.0K,1/4W,1%,100PPM,SMT
36	R58	1	31-403155-00	RES,MF,249,1/8W,1%,100PPM,SMT
37	R59	1	31-403280-00	RES,MF,4.99K,1/8W,1%,100PPM,SMT
38	R62-65, R50	5	31-403238-00	RES,MF,1.82K,1/8W,1%,100PPM,SMT
39	R67	1	31-403213-00	RES,MF,1.0K,1/8W,1%,100PPM,SMT
40	R68	1	31-403261-00	RES,MF,3.16K,1/8W,1%,100PPM,SMT
41	R69	1	31-403184-00	RES,MF,499,1/8W,1%,100PPM,SMT
42	RT1	1	38-399841-00	THERMISTOR,5K,5%,NTC,SMT
43	U1	1	62-602857-00	IC,74HC138D,DECODER,SMT
44	U2	1	62-602961-00	IC,NM93C66M8,EEPROM,256X16,SMT
45	U3	1	62-603056-00	IC,74HC595,SHIFT_REG,SMT
46	U4	1	62-602935-00	IC,DUALDAC,MAX532BCWE,12BIT,SMT
47	U5	1	62-602949-00	IC,74HC4066D,ANLG.SWITCH,SMT
48	U6	1	62-602851-00	IC,74HC04D,HEX-INVERTER,SMT
49				
50		2	51-452976-00	CONN.,SHORTING



POWER SUPPLY CONNECTIONS

COMPONENT	+5V	+5.25V	GND	GND2	+15V	-15V	-5V
U1,3	16	8					
U2	8	5					
U5	14	7					
U6	14	7					
AR1,6	4				11	4	11
AR3,7					11	4	11
AR5					11	4	11



DO NOT SCALE DRAWING SHEET 1 OF 1 1077 1-31-1997_9:05

NOTES:
 1. PARTS ARE INSTALLED ON THE NEXT ASSY.
 2. UNLESS OTHERWISE NOTED, ALL RESISTORS ARE IN OHMS, 1/8W, 1%, 100PPM. ALL CAPACITORS ARE IN UF, 50V.
 1. FOR: ASSY SEE DRAWING 03-925013-00, PART 03-925013-01.
 FOR FAB SEE DRAWING 03-925014-00, PART 03-925014-01.
 FOR: A/W SEE DRAWING 03-925015-00.

NUM	DESCRIPTION OF CHANGE	DATE	BY	APPROVED	DATE	CLASS
1	C RELEASE					
2	IMPROVE GND NOISE REF.					
3	B RELEASE					
4	STOP OEC. C42. ADD C41. AND R70.					
5	CHANGE AR7 TO ITEM 1.0 REG. R22.40 TO 1.0 REG. R22.40 TO 2.7 REG.					
6	CHANGE R21.41 TO 1.0 REG. R22.40 TO 2.7 REG.					

DATE	BY	APPROVED	DATE	CLASS
5/4/94	S. DRAWR	R. KLEE	10-27-95	
10-27-95	ST	M. FENNELL	10-27-95	

SCHEMATIC, P.W.A., ELECTRONIC INJECTOR CONT.

NOT OTHERWISE SPEC'.	FRAC +/-	ANG +/-	SCALE
FIN ✓	DEC .X +/-	.XX +/-	.XXX +/-

CHROMATOGRAPHY SYSTEMS **D** 03-925016-00 4

DIVISION SIZE DRAWING NO. REV

A

CAD=VIEWLOGIC